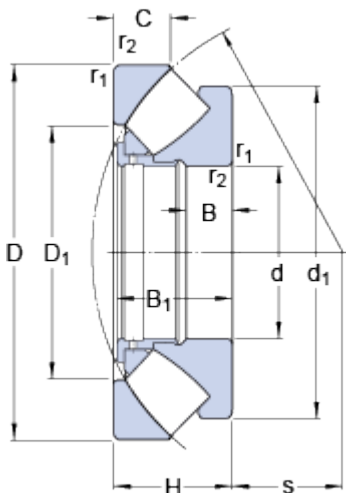


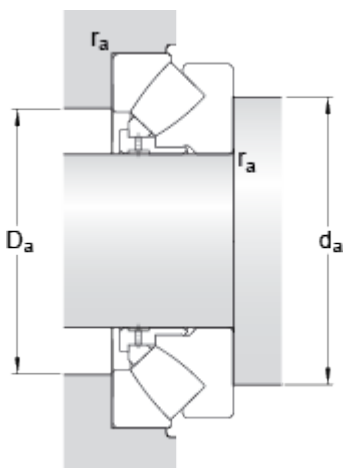
29380 E

Dimensions



d	400	mm
D	620	mm
H	132	mm
d ₁	≈ 596	mm
D ₁	≈ 494	mm
B	43	mm
B ₁	127	mm
C	64	mm
s	225	mm
r _{1,2}	min. 6	mm

Abutment dimensions



d _a	min. 510	mm
D _a	max. 550	mm
r _a	max. 5	mm

Calculation data

Basic dynamic load rating	C	3450	kN
Basic static load rating	C ₀	14600	kN
Fatigue load limit	P _u	1200	kN
Reference speed		530	r/min
Limiting speed		950	r/min
Minimum axial load factor	A	20	

Mass

Mass bearing		150	kg
--------------	--	-----	----